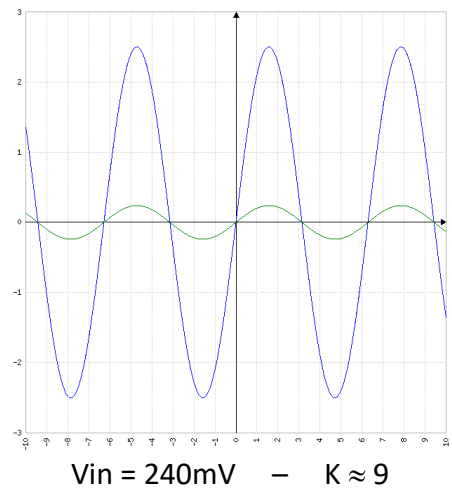
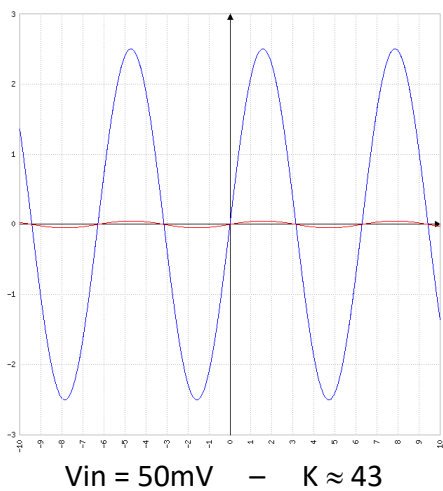
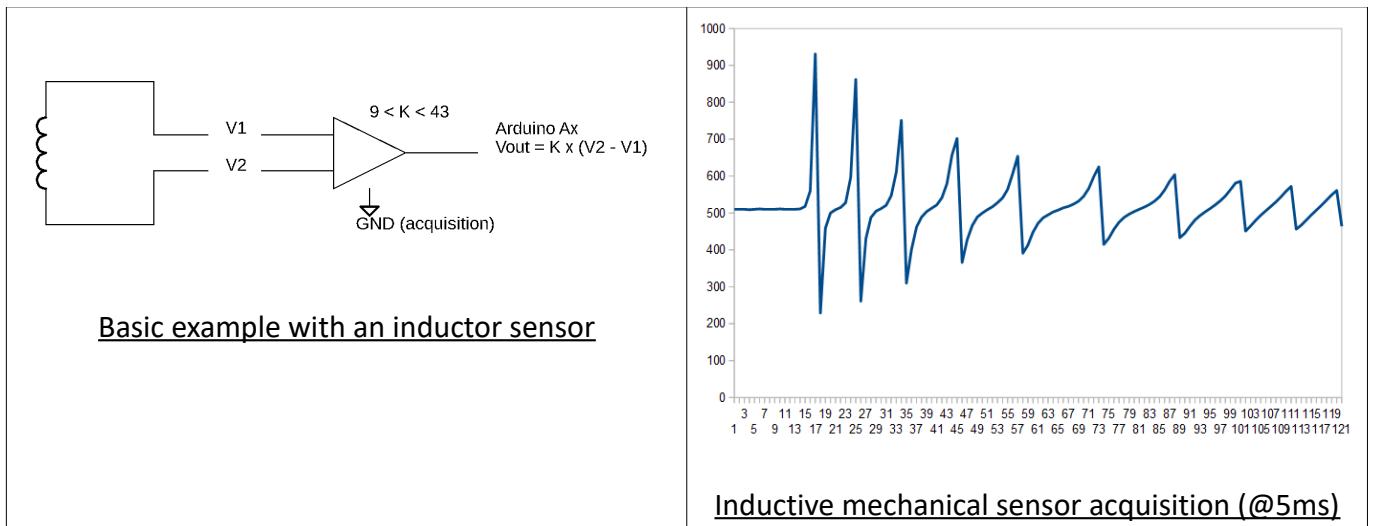
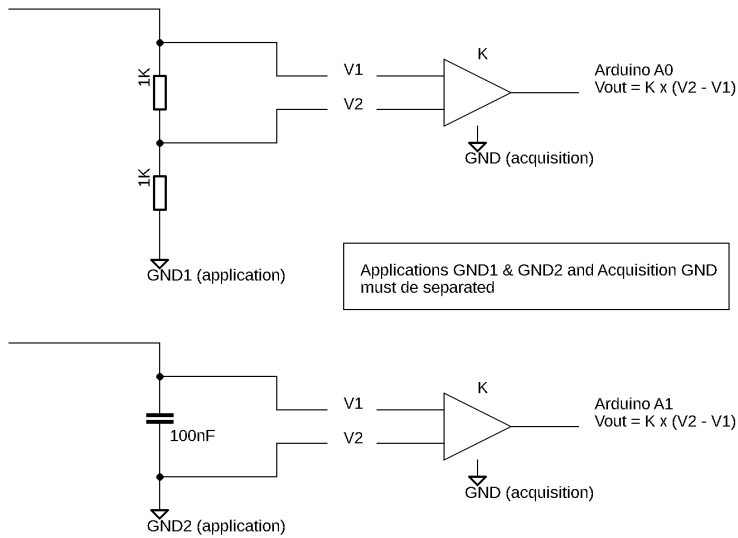




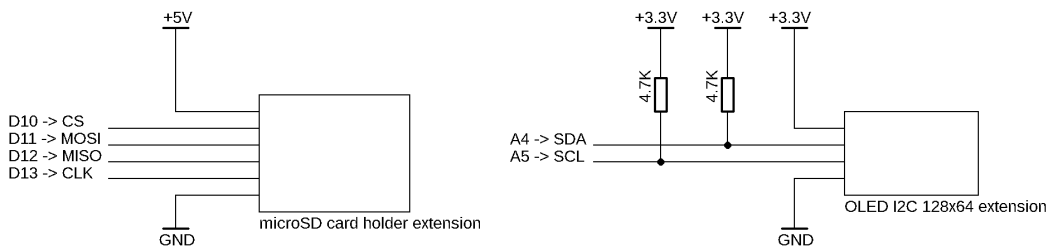
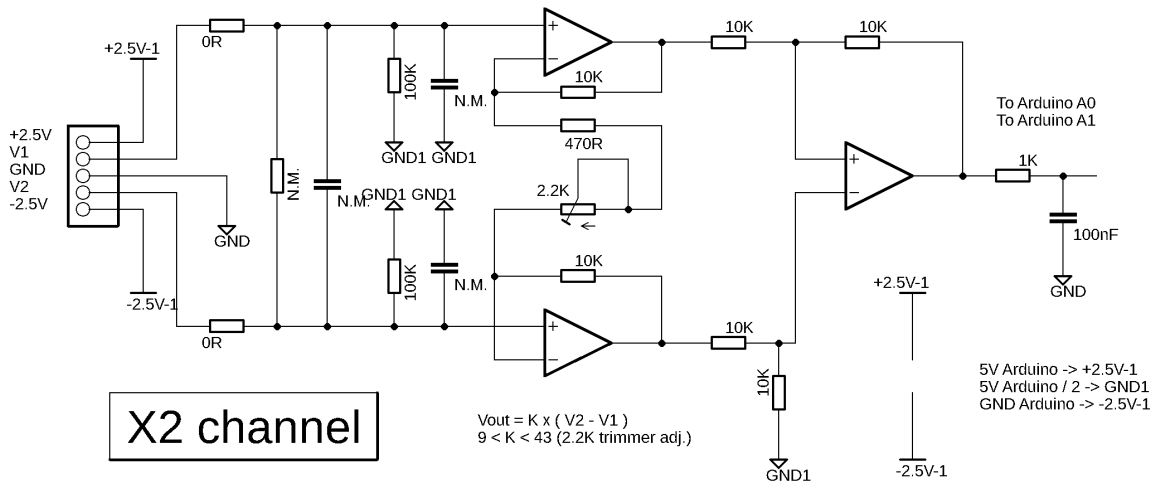
The **Differential Amplifier shield for Arduino Uno** allows you to amplify and acquire small differential signals, with separated grounds !



The amplification can be adjusted from $K = 9$ to $K = 43$, and DAAU is able to acquire signals $< 50mV_{max}$ with $K = 43$, or signals $< 240mV_{max}$ with $K = 9$. By the way, you can acquire alternative signals !



Examples with separated grounds



In addition, you can change inputs components (values, N.M. Resistors, N.M. Capacitors) to fit the module to your needs through the use of 1206 components, easily (re)solderable.